

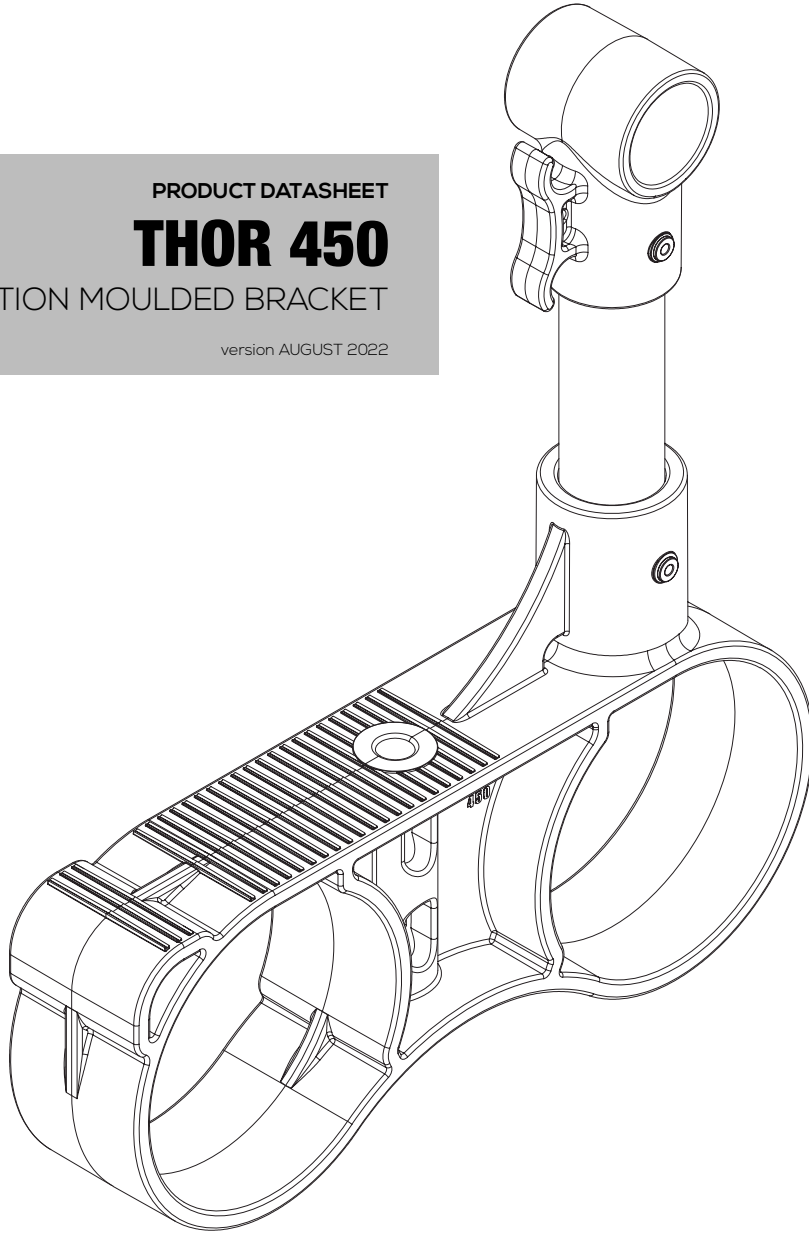


PRODUCT DATASHEET

# THOR 450

INJECTION MOULDED BRACKET

version AUGUST 2022

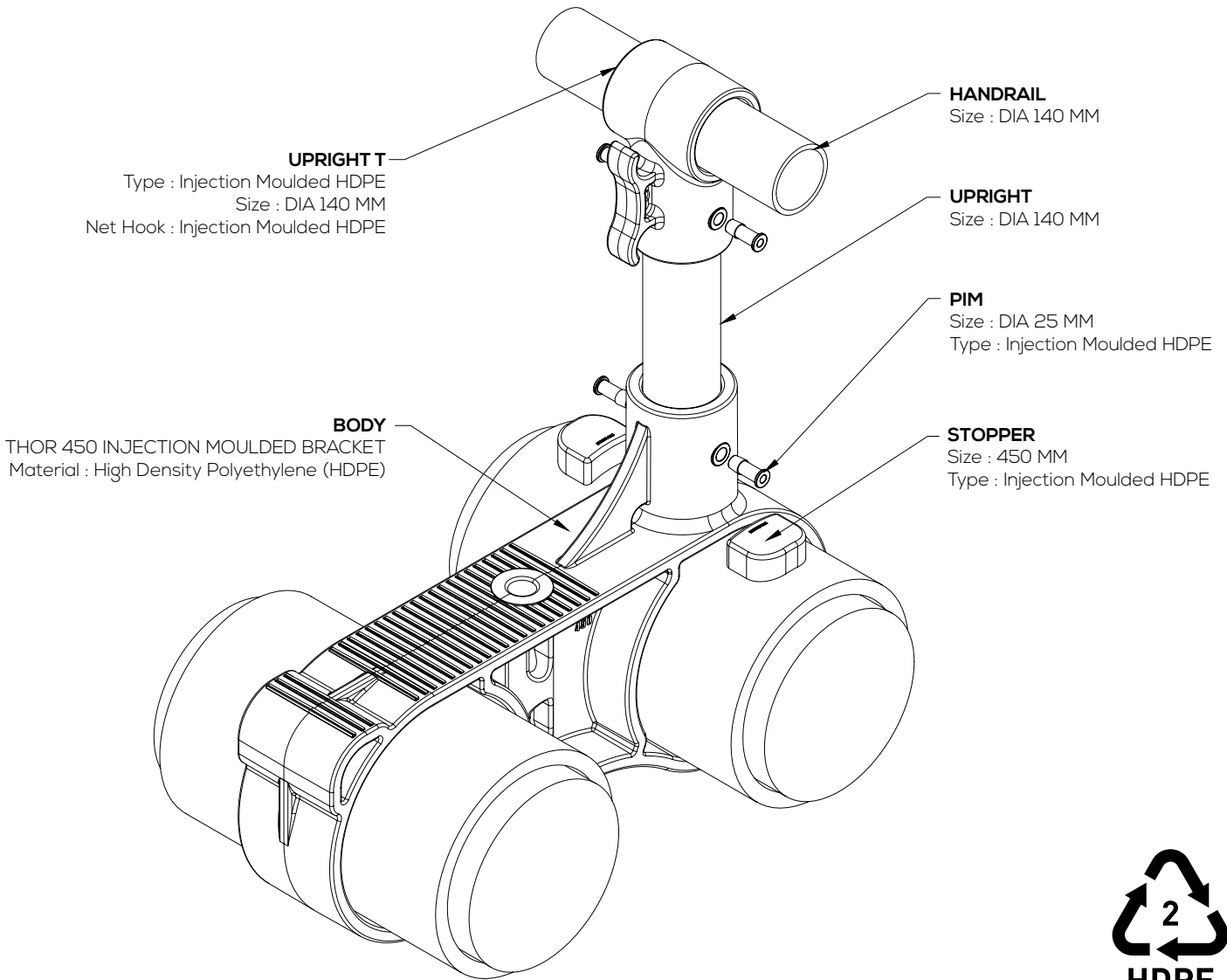


[WWW.ASAKUA.COM](http://WWW.ASAKUA.COM)

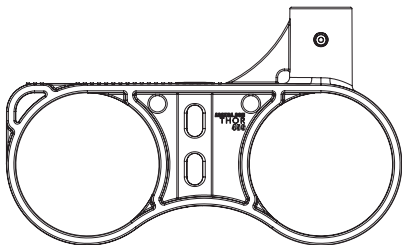
ASAKUA AQUACULTURE & MARINE EQUIPMENTS  
Ataturk OSB Mah. 7. Cad. No 9 Menemen, Izmir, TURKIYE  
info@asakua.com +90 232 435 90 11

# THOR 450

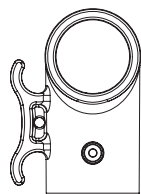
version AUGUST 2022



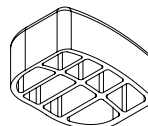
## SET OF THOR 450



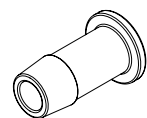
**BODY x1 PCS**



**UPRIGHT x1 PCS**

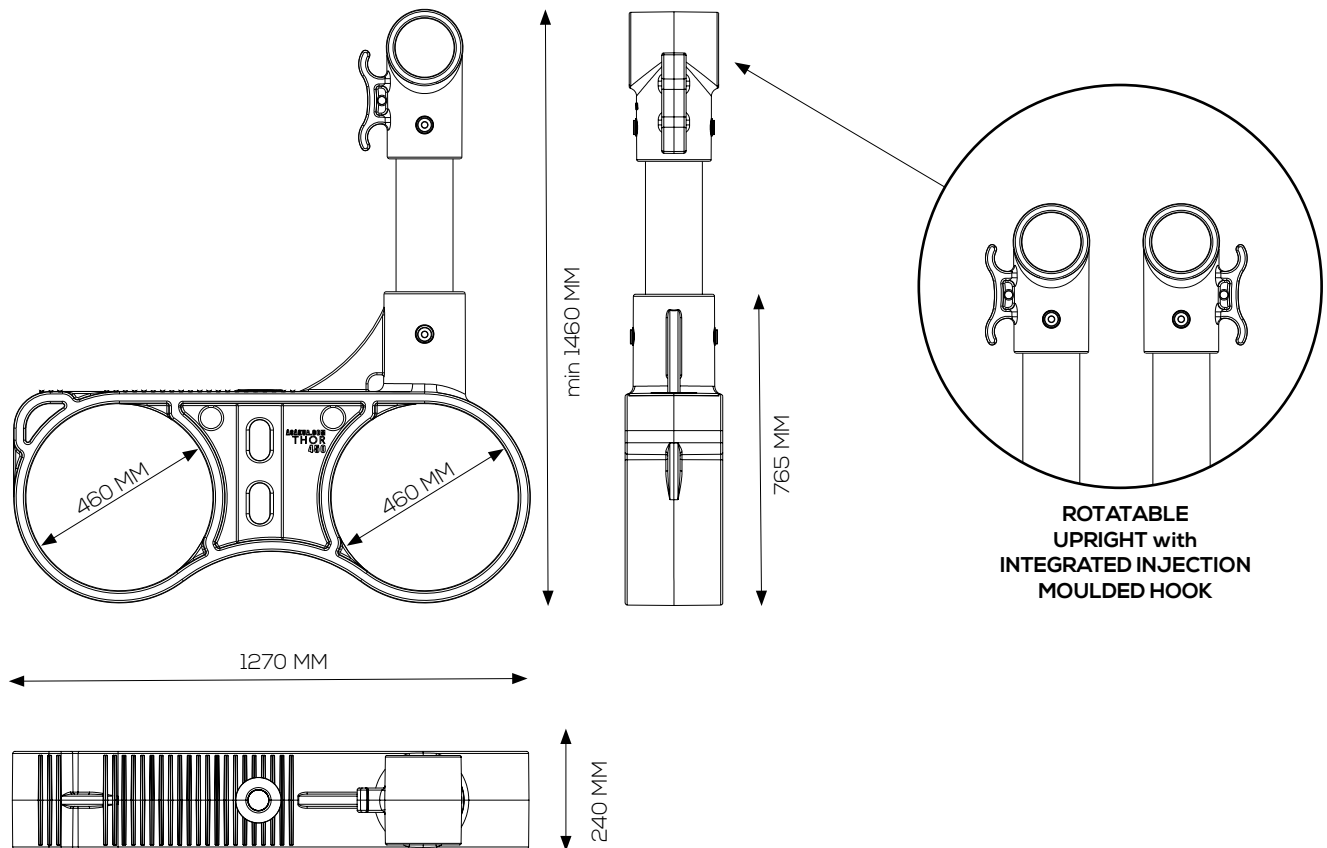


**STOPPER x 2 PCS**



**PIM x 4 PCS**

## DIMENSIONS



## MAIN PROPERTIES

Material of Bracket : High Density Polyethlyene (HDPE)

Manufacturing Method : Injection Moulded Plastic Product

Min. Wall Thickness of Bracket : 30mm

Suitable size of floating collar for THOR 450 : DIA 450mm HDPE Pipe

Suitable size of handrail for THOR 450 : DIA 140mm HDPE Pipe

Fiber glass post attachment holes : Available

Net hook : Available

Suspension rope hitch : Available