

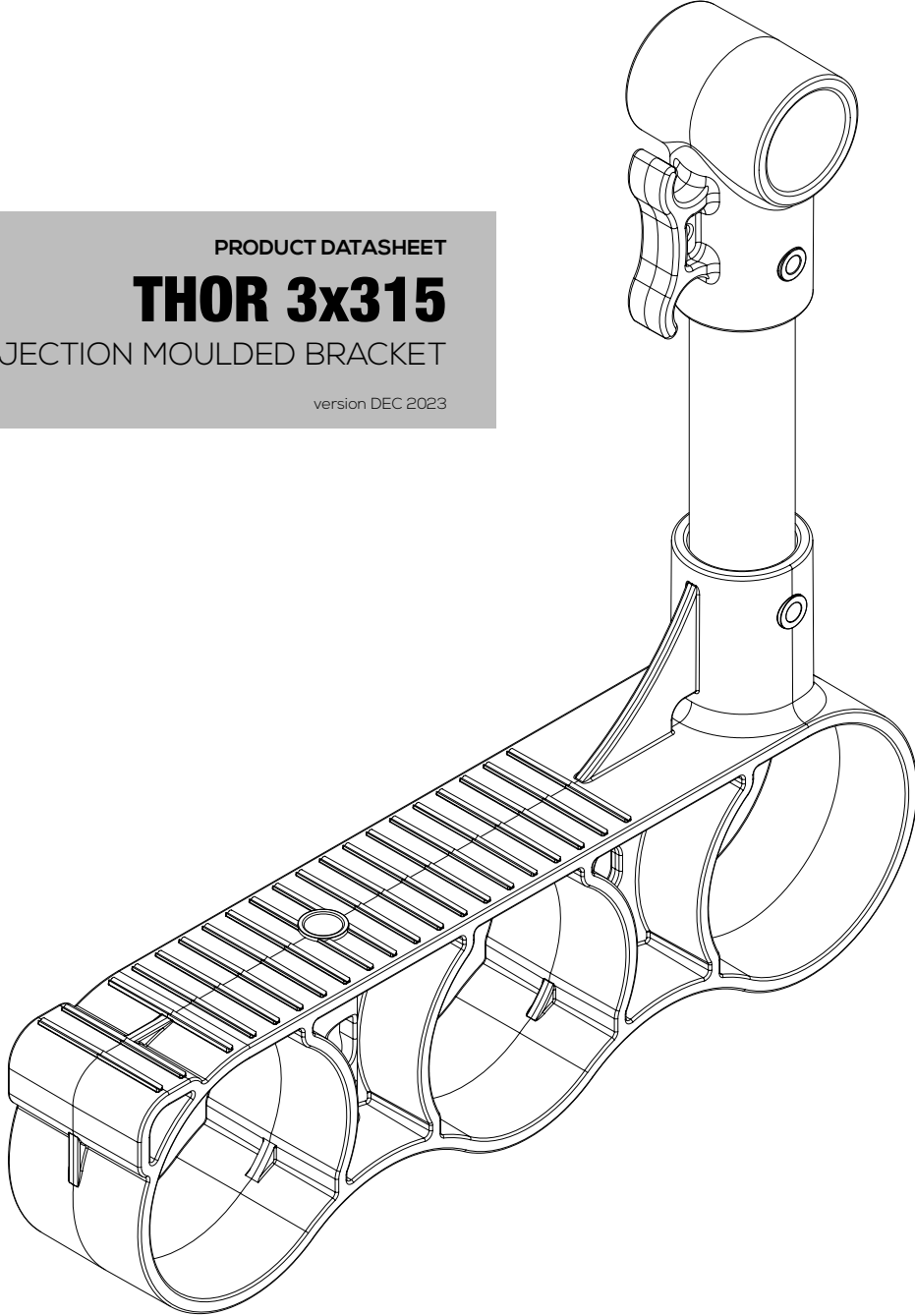


PRODUCT DATASHEET

# THOR 3x315

INJECTION MOULDED BRACKET

version DEC 2023

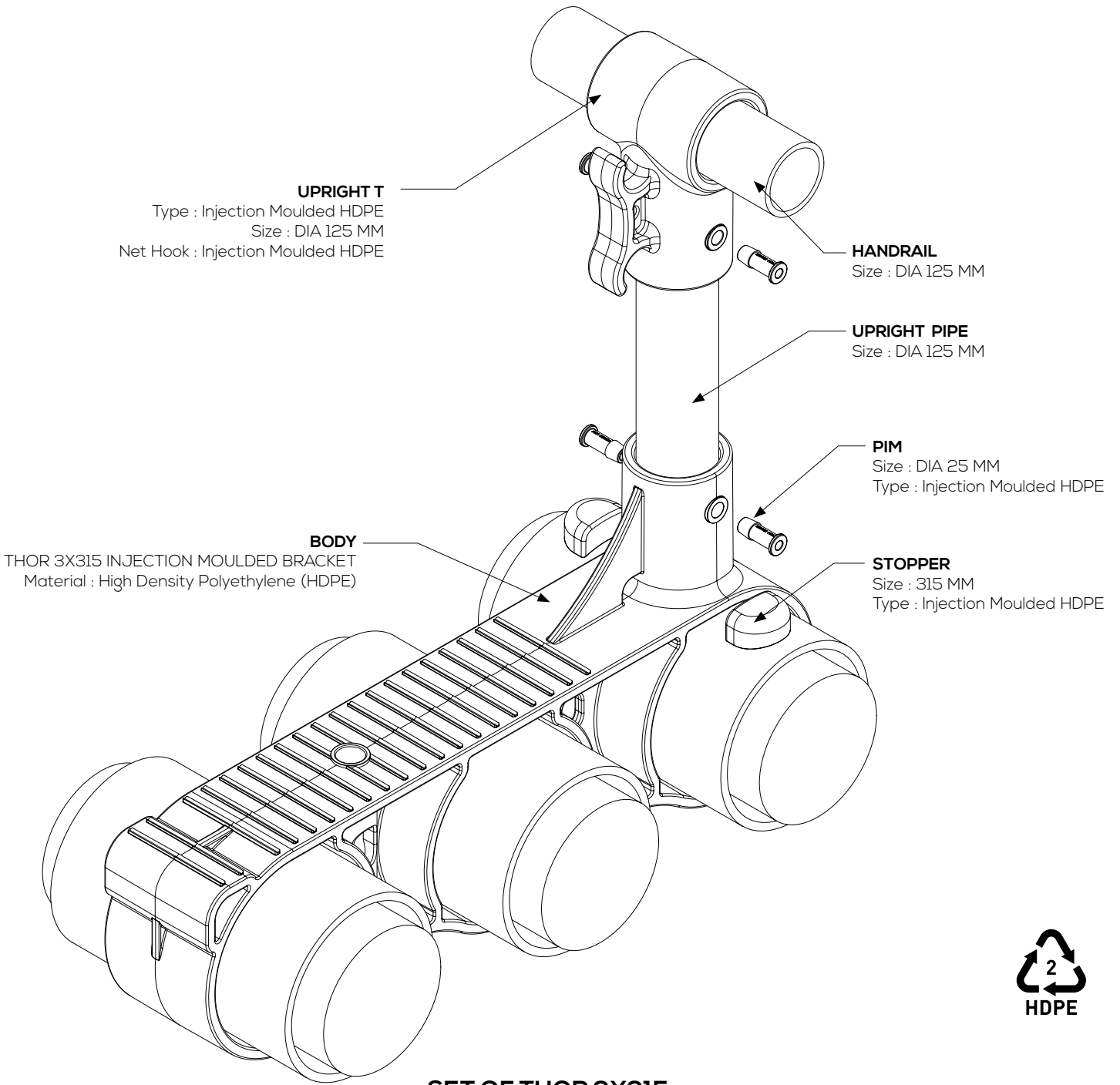


[WWW.ASAKUA.COM](http://WWW.ASAKUA.COM)

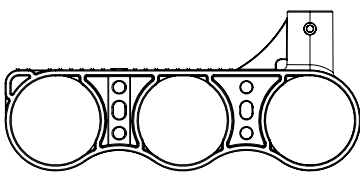
ASAKUA AQUACULTURE & MARINE EQUIPMENTS  
Ataturk OSB Mah. 7. Cad. No 9 Menemen, Izmir, TURKIYE  
info@asakua.com +90 232 435 90 11

# THOR 3x315

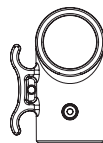
version DEC 2023



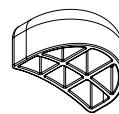
## SET OF THOR 3X315



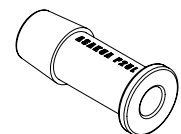
**BODY x1 PCS**



**UPRIGHT x1 PCS**

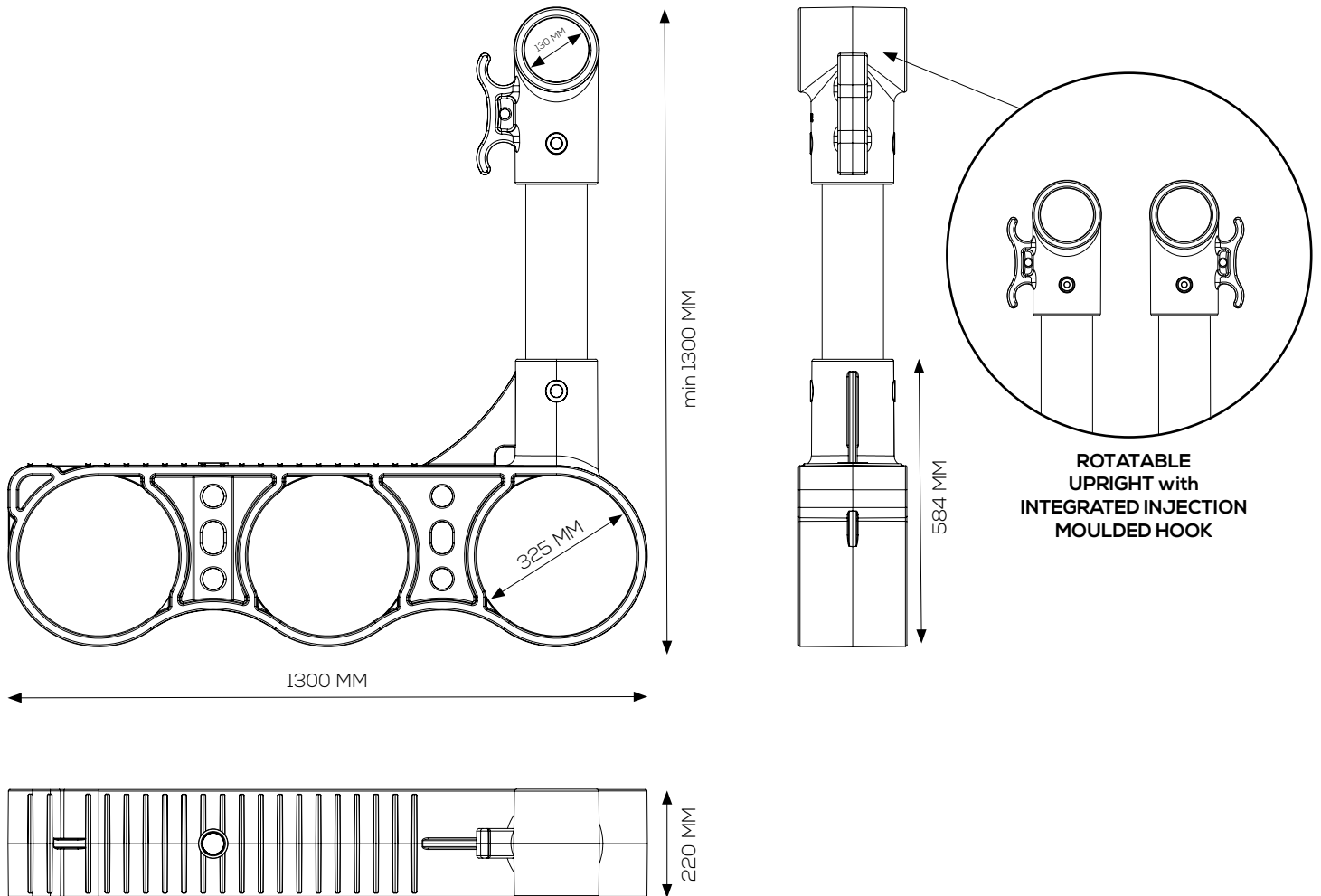


**STOPPER x2 PCS**



**PIM x4 PCS**

## DIMENSIONS



## MAIN PROPERTIES

Material of Bracket : High Density Polyethlyene (HDPE)

Manufacturing Method : Injection Moulded Plastic Product

Min. Wall Thickness of Bracket : 20mm

Suitable size of floating collar for THOR 3X315 : DIA 315mm HDPE Pipe

Suitable size of handrail for THOR 3X315 : DIA 125mm HDPE Pipe

Net hook : Available